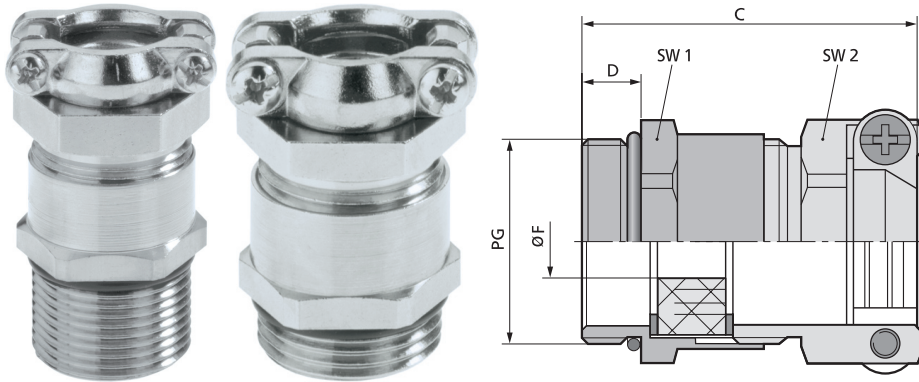


SKINDICHT® SKZ



SKINDICHT® SKZ

Benefits

- Incised sealing ring can be adjusted to clamp several cable diameters
- High strain relief
- High mechanic stability

Application range

- Saddle clamp strain relief gland for raw applications.
- Building sites
- Plant engineering
- Drives

Approvals (Norm references)



Design

- PG connection thread

Note

- SKINDICHT® SKZ-XL is similar to the SKINDICHT® SKZ, but has an extended connection thread for thick walls
- Counter nut to be used SKINDICHT® SM
- For additional accessories see SKINDICHT® EV

Technical data

- Caution**
Installation dimensions see Appendix T21
- Material**
Body: Nickel plated brass
Incised sealing ring: CR
O-ring: NBR
- Degree of protection**
IP 55
- Range of temperature**
-20°C up to +80°C

Part number	Part designation / size	Clamping range ØF mm	Max. fitting size for installation in mm	SW 1 / SW2 mm	Overall length C mm	Thread length D mm	Pieces / PU
SKINDICHT® SKZ							
52004280	SKZ 9	6 - 8,5	24	17 / 17	30,0	6,0	50
52004290	SKZ 11	8 - 12	27	20 / 21	30,0	6,0	50
52004300	SKZ 13,5	12 - 14	30	22 / 22	34,0	6,5	25
52004310	SKZ 16	13 - 16	33	24 / 24	35,0	6,5	25
52004320	SKZ 21	15 - 21	42	30 / 30	41,0	7,0	25
52005570	SKZ 29	20 - 27,5	58	40 / 41	46,0	8,0	10
SKINDICHT® SKZ-XL							
52005575	SKZ 9	6 - 8,5	24	17 / 17	39,0	15,0	50
52005576	SKZ 11	8 - 12	27	20 / 21	39,0	15,0	50
52005577	SKZ 13,5	12 - 14	30	22 / 22	42,5	15,0	25
54000043	SKZ 16	13 - 16	33	24 / 24	43,5	15,0	25
54000011	SKZ 21	15 - 21	42	30 / 30	49,0	15,0	25
54000098	SKZ 29	20 - 27,5	58	40 / 41	53,0	15,0	10